



Technical Services

Gross Automation (877) 268-3700 www.solahevidutysales.com sales@grossautomation.com

While every precaution has been taken to ensure accuracy and completeness in this manual, Sola/Hevi-Duty assumes no responsibility, and disclaims all liability for damages resulting from use of this information or for any errors or omissions.

©2002 Sola/Hevi-Duty. All rights reserved throughout the world. Specifications subject to change without notice.

® Sola/Hevi-Duty name and logo are registered trademarks of EGS Electrical Group, LLC. All names referred to are trademarks or registered trademarks of their respective owners.

S01-23237 (29112005) Rev. 2



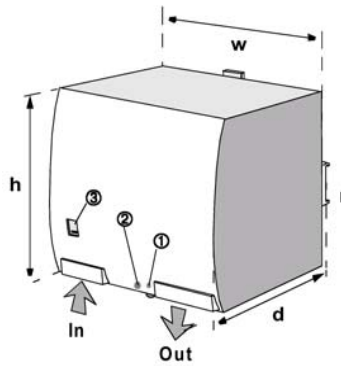
SLR SERIES

Line Reactors



Instruction Manual (English)

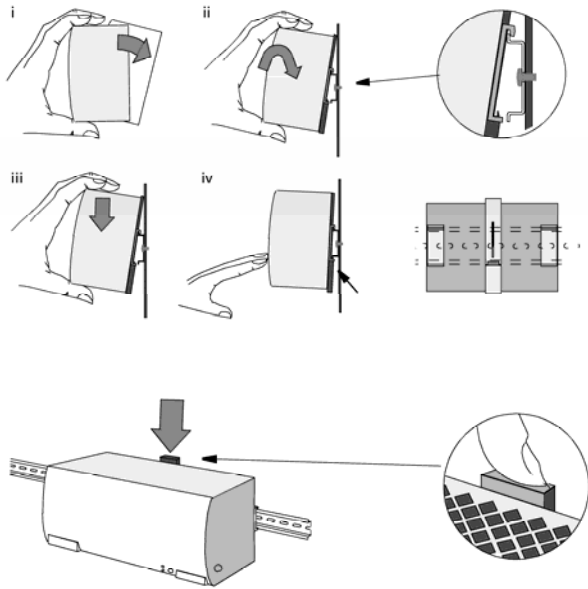
Mounting Instructions



DIN Rail Mounting

Snap on the Rail:

1. Tilt unit slightly backwards
2. Push it onto the DIN Rail
3. Push Downwards until stopped
4. Push at the lower front edge to lock
5. Shake the unit slightly to ensure that the retainer has locked



Wiring Diagram

