

## Specification Tables

## Group 1 – 120 x 240 Volt Primary, 12/24 Volt Secondary



KVA	Catalog Number	Maximum Secondary Amperage		Height (inch)	Width (inch)	Depth (inch)	Ship Weight (lbs)	Design Style	Elec Conn
		12 V	24 V						
<b>Non-encapsulated - 50/60 Hz, Single Phase</b>									
0.05	HS19B50	4.16	2.08	6	4	3	2	2	1
0.1	HS19B100	8.33	4.16	6	4	3	4	2	1
0.15	HS19B150	12.5	6.25	7.5	4	4	5	2	1
0.25	HS19B250	20.8	10.4	7.5	4	4	8	2	1
<b>Encapsulated - 60 Hz, Single Phase</b>									
0.5	HS19F500B	41.6	20.8	10	6	5	22	3	1
0.75	HS19F750B	62.5	31.2	10	6	5	27	3	1
1	HS19F1B	83.3	41.6	10	6	5	28	3	1
1.5	HS19F1.5A	125	62.5	12	10	7	38	4	1
2	HS19F2A	166.6	83.3	12	10	7	45	4	1
3	HS19F3A	250	125	12	10	7	55	4	1
5	HS19F5A	416.5	208.3	17	14	9	100	4	1
7.5	HS19F7.5A	625	312.5	17	14	9	135	4	1
<b>Ventilated - 60 Hz, Single Phase</b>									
10	S19H10A	833.3	416.6	23	14	16	145	1	1

## Group 2 – 120 x 240 Volt Primary, 16/32 Volt Secondary

KVA	Catalog Number	Maximum Secondary Amperage		Height (inch)	Width (inch)	Depth (inch)	Ship Weight (lbs)	Design Style	Elec Conn
		16 V	32 V						
<b>Non-encapsulated - 50/60 Hz, Single Phase</b>									
0.15	HS20B150	9.38	4.69	8	4	4	6	2	2
0.25	HS20B250	15.6	7.81	8	4	4	8	2	2
<b>Encapsulated - 60 Hz, Single Phase</b>									
0.5	HS20F500B	31.2	15.6	10	6	5	22	3	2
0.75	HS20F750B	46.8	23.4	10	6	5	27	3	2
1	HS20F1B	62.5	31.2	10	6	5	28	3	2
1.5	HS20F1.5A	93.7	46.8	12	10	7	38	4	2
2	HS20F2A	125	62.5	12	10	7	45	4	2
3	HS20F3A	187.5	93.7	12	10	7	55	4	2
5	HS20F5A	312	156	17	14	9	100	4	2
7.5	HS20F7.5A	468	234	17	14	9	135	4	2
<b>Ventilated - 60 Hz, Single Phase</b>									
10	S20H10A	625	312	23	14	16	145	1	2

Note: Weights and dimensions may change and should not be used for construction purposes.

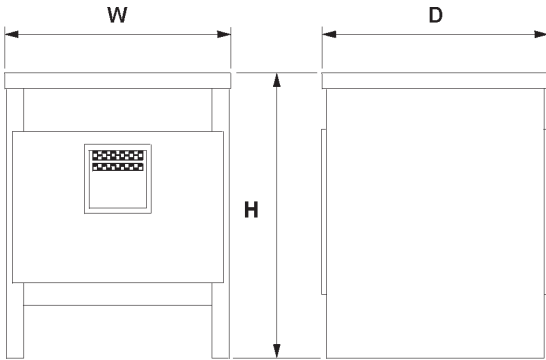
## Specification Tables – continued

### Group 3 – 240 x 480 Volt Primary, 24/48 Volt Secondary

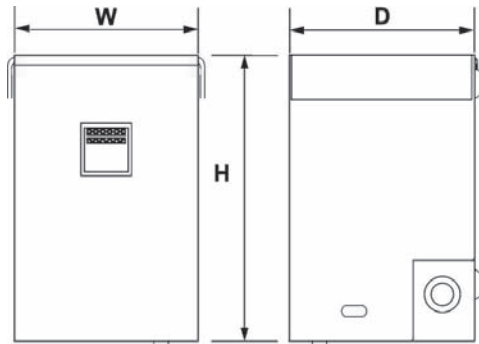


KVA	Catalog Number	Maximum Secondary Amperage		Height (inch)	Width (inch)	Depth (inch)	Ship Weight (lbs)	Design Style	Elec Conn
		24 V	48 V						
<b>Non-encapsulated - 50/60 Hz, Single Phase</b>									
0.15	HS22B150	6.25	3.13	8	4	3	5	2	3
0.25	HS22B250	10.4	5.2	8	4	3	8	2	3
<b>Encapsulated - 60 Hz, Single Phase</b>									
0.5	HS22F500B	20.8	10.4	8	6	5	22	3	3
0.75	HS22F750B	31.2	15.6	10	6	5	27	3	3
1	HS22F1B	41.6	20.8	10	6	5	28	3	3
1.5	HS22F1.5A	62.5	31.2	12	10	7	38	4	3
2	HS22F2A	83.3	41.6	12	10	7	45	4	3
3	HS22F3A	125	62.5	12	10	7	55	4	3
5	HS22F5A	208	104	17	14	9	100	4	3
7.5	HS22F7.5A	312	156	17	14	9	135	4	3
<b>Ventilated - 60 Hz, Single Phase</b>									
10	S22H10A	416	208	23	14	15	145	1	3

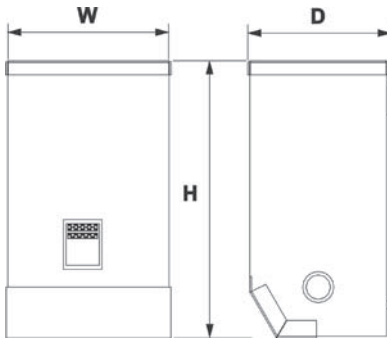
Design Styles



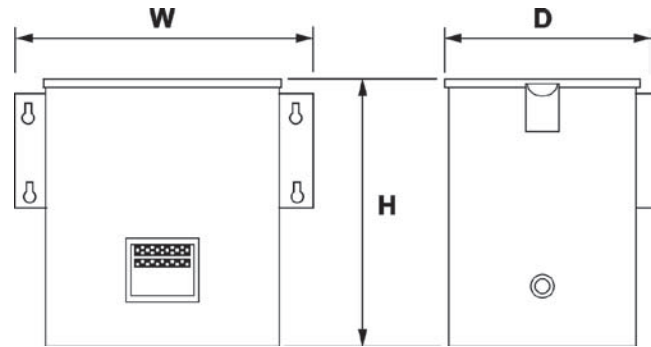
Style 1 - Ventilated



Style 2 - Non-Encapsulated

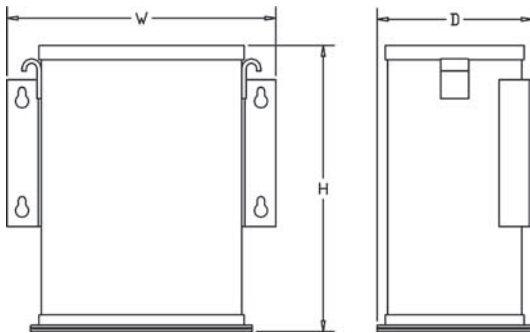


Style 3 - Encapsulated



Style 4 - Encapsulated

Customized Enclosures - Contact Technical Services



Style 5 - Encapsulated

Available for all encapsulated KVA sizes (For NEMA 4, 12 and 4X)

## Electrical Connections for Low Voltage Applications

120 X 240 Volt Primary,  
12/24 Volt Secondary  
Taps: None

**1**

Primary Voltage	Interconnect	Connect Lines To
240	H2 to H3	H1 & H4
120	H1 to H3 H2 to H4	H1 & H4
Secondary Voltage	Interconnect	Connect Lines To
24	X2 to X3	X1 & X4
12-0-12	X2 to X3 X2 to $\perp$	X1-X2-X4
12	X1 to X3 X2 to X4	X1 & X4

120 X 240 Volt Primary,  
16/32 Volt Secondary  
Taps: None

**2**

Primary Voltage	Interconnect	Connect Lines To
240	H2 to H3	H1 & H4
120	H1 to H3 H2 to H4	H1 & H4
Secondary Voltage	Interconnect	Connect Lines To
32	X2 to X3	X1 & X4
16-0-16	X2 to X3 X2 to $\perp$	X1-X2-X4
16	X1 to X3 X2 to X4	X1 & X4

240 X 480 Volt Primary,  
24/48 Volt Secondary  
Taps: None

**3**

Primary Voltage	Interconnect	Connect Lines To
480	H2 to H3	H1 & H4
240	H1 to H3 H2 to H4	H1 & H4
Secondary Voltage	Interconnect	Connect Lines To
48	X2 to X3	X1 & X4
24-0-24	X2 to X3 X2 to $\perp$	X1-X2-X4
24	X1 to X3 X2 to X4	X1 & X4